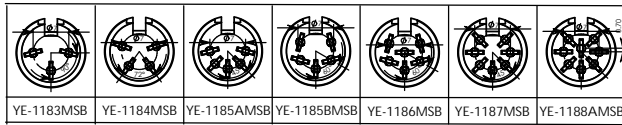
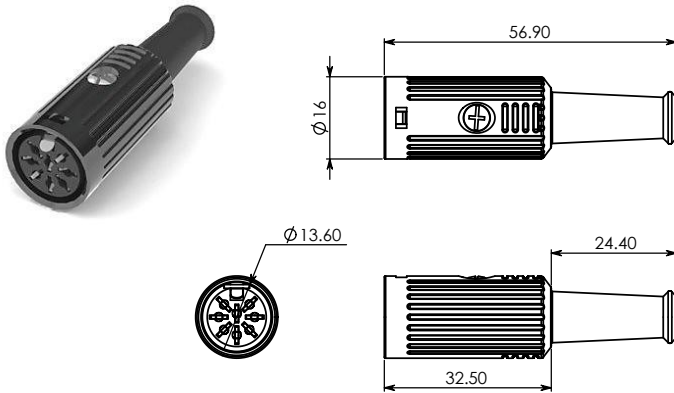


# YE-118XMSB DIN CABLE JACK METAL SHIELD PUSH LOCKING ASS'Y



## MATERIAL:

1. SHELL COVER : Zn ALLOY CHROME PTD.
2. STRAIN BOOT: TPR
3. "T" HOLDER : STEEL NICKEL PTD.
4. GND CONTACTOR : PHOSPHOR BRONZE NICKEL PTD.
5. SETSCREW: STEEL NICKEL PTD.
6. HOUSING : PA66
7. TERMINALS : COPPER SILVER PTD.

## SPECIFICATION :

Rating : 100V AC 1A max.  
 Contact Resistance :  
     Pins 30mΩ max.  
     Shell 50mΩ max.  
 Insulation Resistance :  
     100MΩ at 500V DC min.  
 Voltage Withstand :  
     250V AC for 1 minute

<b>YE-1183MSB</b>	<b>YE-1184MSB</b>	<b>YE-1185AMSB</b>
<b>YE-1185BMSB</b>		<b>YE-1186MSB</b>
<b>YE-1187MSB</b>	<b>YE-1188AMSB</b>	